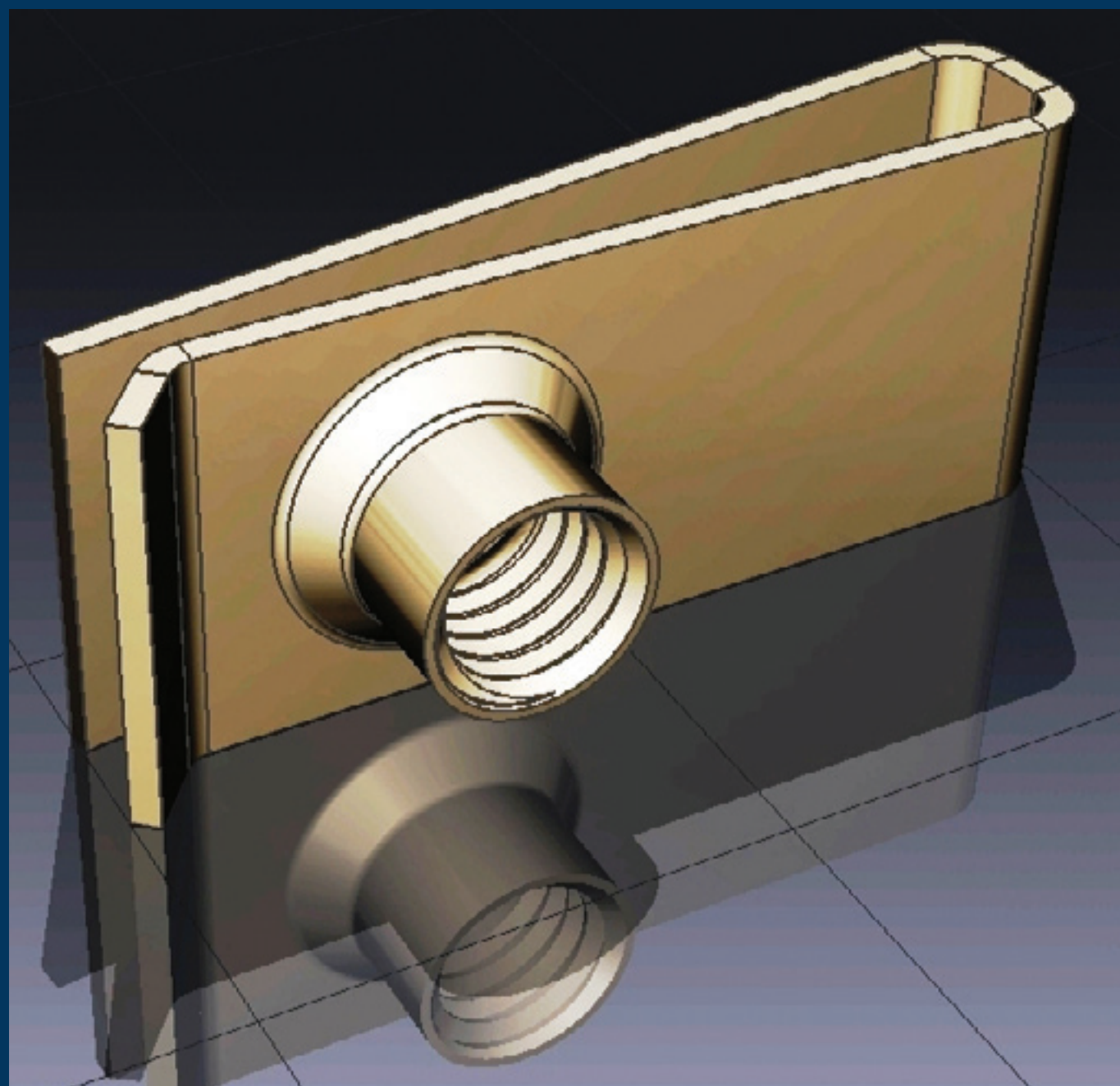


RAGEEM FASTENER CO PTY LTD

Specialised Fasteners 13

"U" & "J" Type Nuts



**Unit 7/6 Lindsay Street
Rockdale NSW 2216**

Phone: 02 9599 3132

Email: sales@rageem.com.au

Fax: 02 9597 2673

www.rageem.com.au



01812/17/4
4 AB U-Nut
Panel Range
0.70-1.20



00524/17/4
2 BA U-Nut
Panel Range
0.70-2.00



00522/17/4
4 BA U-Nut
Panel Range
0.70-1.60



00520/17/4
6 BA U-Nut
Panel Range
0.45-1.00



00520/17/4
M3 U-Nut
Panel Range
0.45-1.00



09810/17/7B
M4 U-Nut
Panel Range
1.60-2.00



11178/17/4
M4 U-Nut
Panel Range
2.40



11969/17/4
M4 U-Nut
Panel Range
0.70-2.00



11040/17/4
M5 U-Nut
Panel Range
0.90-2.00



11040/12/0
M5 U-Nut
Panel Range
0.90-2.00



RAGF045
M5 U-Nut
Panel Range
0.50-4.00



RAGM5UMIKN
M5 U-Nut
Panel Range
0.50-4.00



RAGM5UMIKNS
M5 U-Nut
Panel Range
0.50-3.00



11221/17/4
M6 U-Nut
Panel Range
1.50-3.00



11696/17/4
M6 U-Nut
Panel Range
2.50-3.50



11972/17/565
M6 U-Nut
Panel Range
5.00-7.00



RAGM6UCFNL
M6 Long U-Nut
Panel Range
2.00-3.50



RAGM6UCFNS
M6 Short U-Nut
Panel Range
2.00-3.50



RAGM6UDINSSS
M6 Short U-Nut
Panel Range
2.00-3.50



RAGM6UMIKN
M6 Short U-Nut
Panel Range
0.70-3.50



RAGM6UCFNLSS
M6 Long U-Nut
Panel Range
2.00-3.50



RAGM6UMINL
M6 Long U-Nut
Panel Range
2.00-3.50



RAGM6UMINS
M6 Short U-Nut
Panel Range
1.00-3.50



RAGM6UMINSSP
M6 U-Nut
Panel Range
0.70-1.20



11223/17/4
M8 Short U-Nut
Panel Range
1.50-4.00



RAGM8UCFNL
M8 Long U-Nut
Panel Range
1.00-3.50



RAGM8UDINL
M8 Long U-Nut
Panel Range
1.00-3.50



RAGM10UDIN
M10 U-Nut
Panel Range
2.00-5.00



09936/17/565
6 Gauge U-Nut
Panel Range
0.30-0.45



08369/17/320
6 Gauge U-Nut
Panel Range
0.90-1.20



01219/17/4
6 Gauge U-Nut
Panel Range
0.70-1.60



01219/12/0
6 Gauge U-Nut
Panel Range
0.70-1.60



01198/17/4
6 Gauge J-Nut
Panel Range
1.40-1.80



01561/17/4
8 Gauge U-Nut
Panel Range
0.70-1.60



01675/17/320
8 Gauge U-Nut
Panel Range
1.20-1.60



01686/17/4
8 Gauge U-Nut
Panel Range
1.20-1.60



11402/17/4
8 Gauge J-Nut
Panel Range
0.70-1.50



12327/17/320
8 Gauge U-Nut
Panel Range
2.65



00536/17/4
8 Gauge U-Nut
Panel Range
0.70-1.60



00536/12/0
8 Gauge U-Nut
Panel Range
0.70-1.60



09491/17/7B
8 Gauge U-Nut
Panel Range
2.55-2.80



01907/17/404
8 Gauge U-Nut
Panel Range
3.20-3.55



08362/17/4
8 Gauge U-Nut
Panel Range
5.50-6.00



08362/12/0
8 Gauge U-Nut
Panel Range
5.50-6.00



08725/17/4
8 Gauge U-Nut
Panel Range
3.20-3.55



09576/17/320
8 Gauge U-Nut
Panel Range
0.65-3.80



01747/17/4
10 Gauge U-Nut
Panel Range
0.90-1.60



00008/17/565
10 Gauge U-Nut
Panel Range
2.50-3.30



00012/12/0
10 Gauge U-Nut
Panel Range
1.30-2.00



00046/14/404
10 Gauge U-Nut
Panel Range
1.80-3.60



00537/17/6T
10 Gauge U-Nut
Panel Range
0.90-2.00



11429/12/0
10 Gauge U-Nut
Panel Range
0.70-1.60



12972/17/4
10 Gauge U-Nut
Panel Range
0.70-2.00



00538/17/4
12 Gauge U-Nut
Panel Range
0.90-2.50



11470/12/0
14 Gauge U-Nut
Panel Range
1.00-2.50



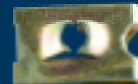
00116/17/320/5
8 Gauge J-Nut
Panel Range
0.70-1.20



00110/17/4/5
10 Gauge J-Nut
Panel Range
0.70-1.20



01671/17/4
14 Gauge J-Nut
Panel Range
0.90-1.60



00110/17/4/5
3/16 BSW J-Nut
Panel Range
0.70-1.20



08339/17/4
3/16 BSW U-Nut
Panel Range
0.70-1.20



00530/17/4
3/16 BSW U-Nut
Panel Range
0.90-2.00



00530/12/0
3/16 BSW U-Nut
Panel Range
0.90-2.00



00531/17/4
1/4 BSW U-Nut
Panel Range
0.90-2.60



08019/17/4
1/4 BSW U-Nut
Panel Range
0.90-2.60



09695/17/4
1/4 BSW J-Nut
Panel Range
0.90-1.90

Understanding the Part number for U & J Type Speed Nuts



Understanding the Material

17 = Spring Steel

12 = 301 Stainless Steel

Understanding the Finish

0 = Natural

4 = Zinc Yellow

4T = Zinc Yellow RoHS

6T = Bright Zinc RoHS

7B = Phosphate and Oil

320 = Dacromet

404 = Dacromet Black

565 = Magni



02099/17/4
1/4 BSW U-Nut
Panel Range
1.50-3.00



02099/17/320
1/4 BSW U-Nut
Panel Range
1.5-3.00



B228
5/16 BSW J-Nut
Panel Range
1.00-1.60



B275
5/16 BSW U-Nut
Panel Range
2.50-4.00



08757/17/4
5/16 BSW U-Nut
Panel Range
1.30-2.50

